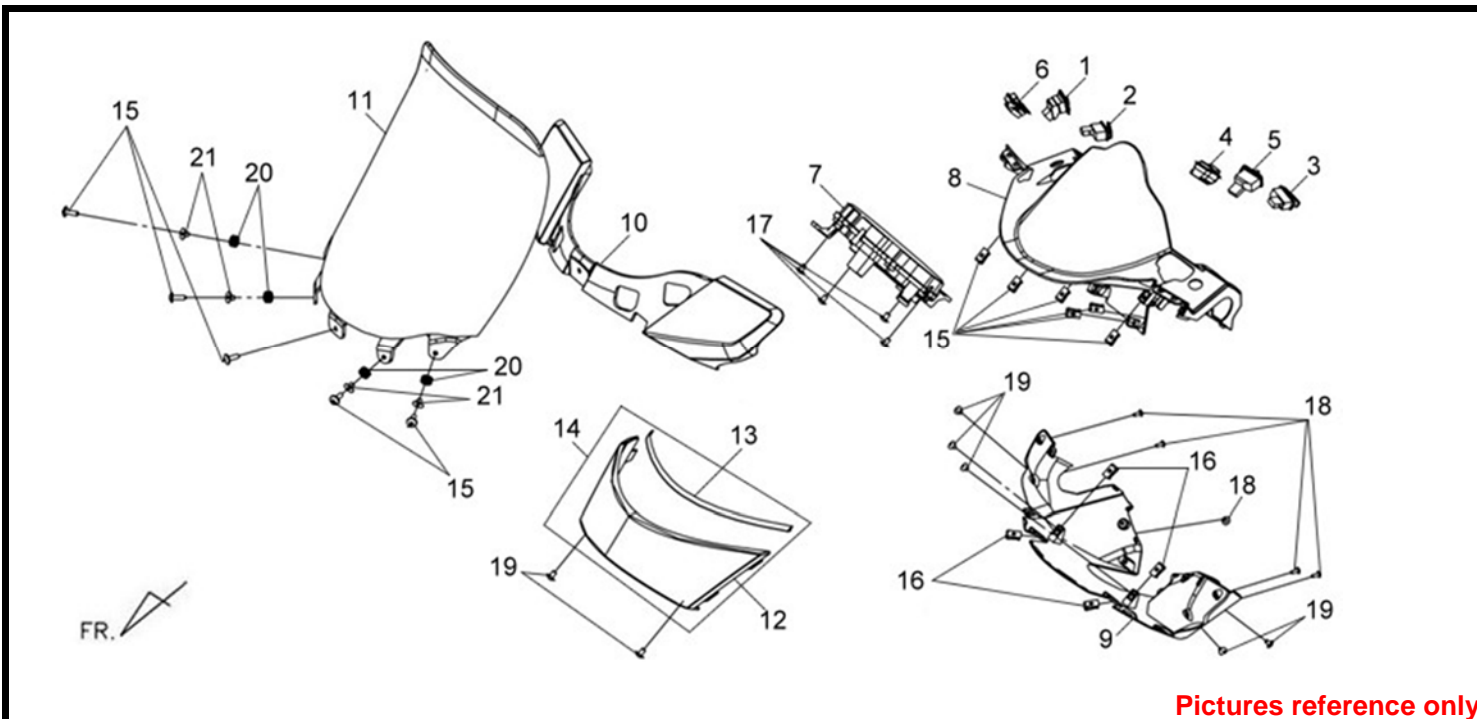


Pictures reference only

PARTS NUMBER		DESCRIPTION	QTY	EFFECTIVE DATE	
1	53207-HBK-000	LIGHT SW. CAP	1		
2	35160-LEA-000	START SW. UNIT	1		
2	35160-LEA-010	START SW. UNIT	1	2013/9/16	N
3	35170-HEB-000	DIMMER AND OPEN SW. UNIT	1		
4	35180-LEA-000	HORN SW. UNIT	1		
4	35180-LEA-010	HORN SW. UNIT	1	2013/9/16	N
5	35200-M9Q-000	SW. UNIT WINKER	1		
6	36150-LEA-000	ENG. STOP SW UNIT	4		
7	37200-LEC-000	SPEEDOMETER ASSY.	1		
7	37200-LEC-010	SPEEDOMETER ASSY.	1	2014/1/20	N
7-1	37224-LEB-000	METER CORD COMP	1		
7-2	37211-LEA-000	METER LENS	1		
8	53205-LEA-000-KA	UPPER HANDLE COVER BK-001U	5		
8-1	87521-LEB-000	MIT LABEL	1	2012/8/20	
9	53206-LEA-000-KA	LOWER HANDLE COVER BK-001U	1		
10	53207-LEA-000-JZ	FR HANDLE COVER BK-5395S-D	1		
10	53207-LEA-000-FQZ	FR HANDLE COVER BU-289S-D	1		
10	53207-LEA-000-IGZ	FR HANDLE COVER GY-419S-D	1		
10	53207-LEA-000-QZ	FR HANDLE COVER S-421S-D	1		
10	53207-LEA-000-IL	FR HANDLE COVER GY-7450U	1		
10	53207-LEA-000-RT	FR HANDLE COVER R-010CA	1		
11	67100-LEA-000	WIND SCREEN	1		
12	67110-LEA-000	N/A WIND SCREEN GARNISH	1		
11	67100-LEA-010	WIND SCREEN	1	2008/8/1	Y



Pictures reference only

PARTS NUMBER	DESCRIPTION	QTY	EFFECTIVE DATE
13 67111-LEA-000	WIND SCREEN GARNISH RUB. SEAL	1	
14 6711A-LEA-000-KB	WIND SCREEN GARNISH ASSY.	1	
15 90119-HMA-000	WASHER SCREW 5X18	10	
16 90308-X04-000	SPRING NUT 5MM	6	
17 93903-25280	TAPPING SCREW 5X12	4	
18 93903-25320	TAPPING SCREW 5X16	8	
19 93903-34380	TAPPING SCREW 4X12	1	
20 17591-HMC-000	A.I.S.V.RUBBER	4	
21 17592-HMC-000	A.I.S.V.COLLAR	4	

※ Please check the color & stripe information according to the color index !

 TEAMWORLD IND. 2008.02