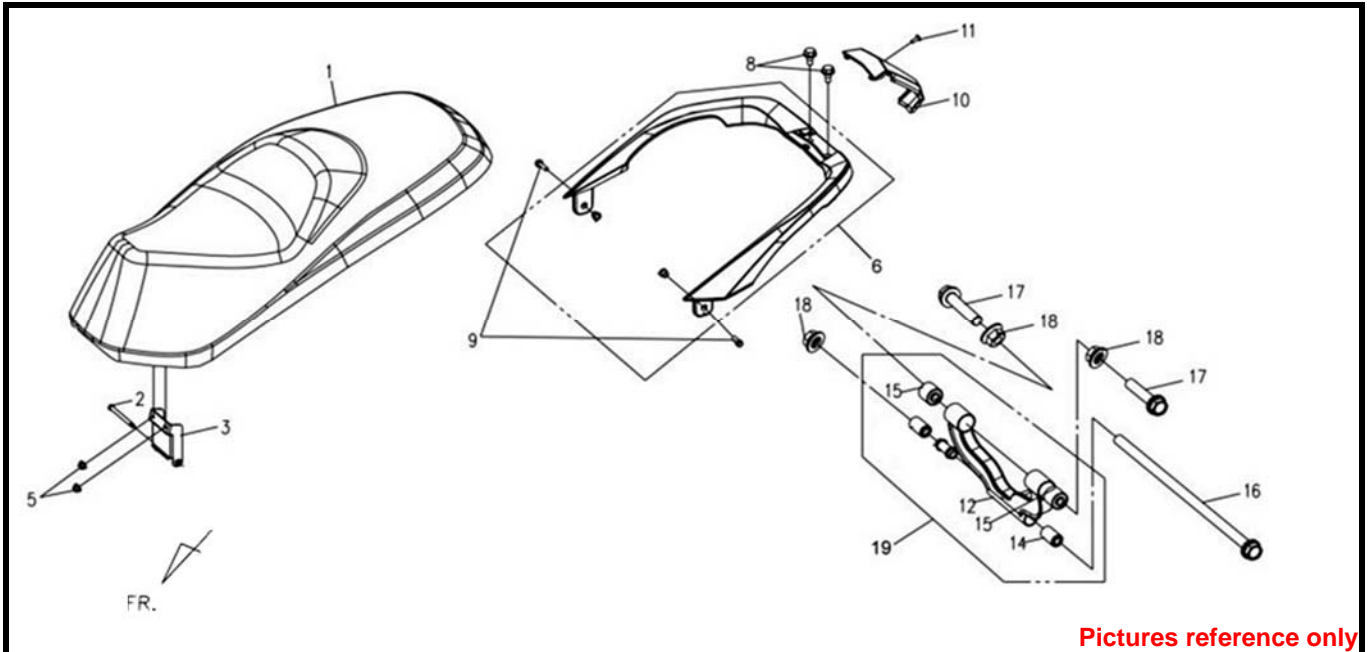


Pictures reference only

PARTS NUMBER	DESCRIPTION	QTY	EFFECTIVE DATE	
1 77100-LEA-000	DOUBLE SEAT ASSY	1		
1 77100-LEA-100	DOUBLE SEAT ASSY	1	2010/1/4	Y
1 77100-LEA-102	DOUBLE SEAT ASSY	1	2014/2/24	N
2 90105-HHA-000	SEAT HINGE SCREW	1		
3 77201-LEA-010	SEAT HINGE COMP	1		
5 94050-06080	FLANGE NUT 6MM	2		
6 81200-LEA-000-QZ	RR.CARRIER(S-421S-D)	1		
6 81200-LEA-000-KB	RR.CARRIER BK-001C	1		
8 90107-LEA-000	FLANGE BOLT 8X12	2		
9 93406-08012-00	WASHER BOLT 8X12	2		
10 8375G-LEA-000-JZ	RR.CENTER COVER ASSY(BK-5395S-D)	1		
10-1 87123-TFL-000	S-LOGO 30MM(POLY)	1		
10-1 87123-LEA-000	S-LOGO 30MM(PU-AL)	1	2011/8/30	
10 8375G-LEA-000-FQZ	RR.CENTER COVER ASSY(BU-289S-D)	1		
10-1 87123-TFL-000	S-LOGO 30MM(POLY)	1		
10-1 87123-LEA-000	S-LOGO 30MM(PU-AL)	1	2011/8/30	
10 8375G-LEA-000-IGZ	RR.CENTER COVER ASSY(GY-419S-D)	1		
10-1 87123-TFL-000	S-LOGO 30MM(POLY)	1		
10-1 87123-LEA-000	S-LOGO 30MM(PU-AL)	1	2011/8/30	
10 8375G-LEA-000-QZ	RR.CENTER COVER ASSY(S-421S-D)	1		
10-1 87123-TFL-000	S-LOGO 30MM(POLY)	1		
10-1 87123-LEA-000	S-LOGO 30MM(PU-AL)	1	2011/8/30	



Pictures reference only

PARTS NUMBER	DESCRIPTION	QTY	EFFECTIVE DATE
10 8375G-LEA-000-IL	RR CENTER COVER ASSY GY-7450U	1	
10-1 87123-LEA-000	S-LOGO 30MM(PU-AL)	1	
10 8375G-LEA-000-RT	RR CENTER COVER ASSY R-010CA	1	
10-1 87123-LEA-000	S-LOGO 30MM(PU-AL)	1	
11 93903-25280	TAPPING SCREW 5X12	1	
14 50357-HMA-000	ENG. HANGER BUSH	2	
15 50353-HHA-000	SWING LOCK BUSH	2	
16 90105-LEA-000	FLANGE BOLT 12X290	1	
17 95801-12085-07	FLANGE BOLT 12X85	2	
18 90306-M9Q-000	SELF LOCK NUT 12MM	3	
19 50350-LEA-000	ENG. HANGER LINK ASSY.	1	

※ Please check the color & stripe information according to the color index !

EAMWORLD IND. 2008.02