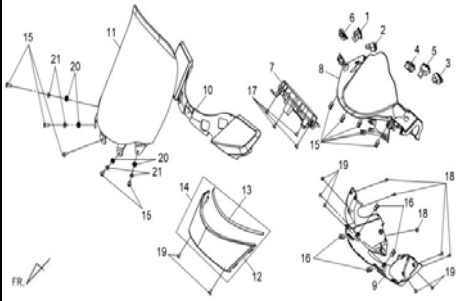
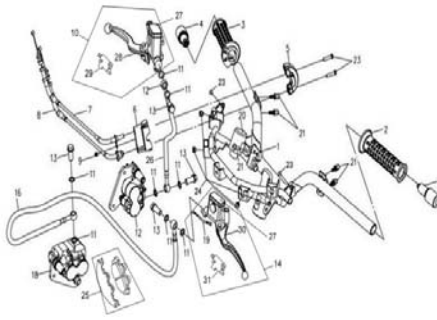


# CONTENTS—FRAME GROUP 1

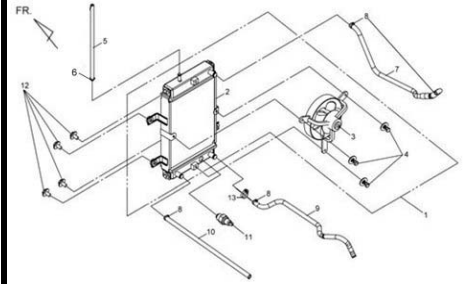
**F01**  
**WIND SCREEN&HANDLE COVER**



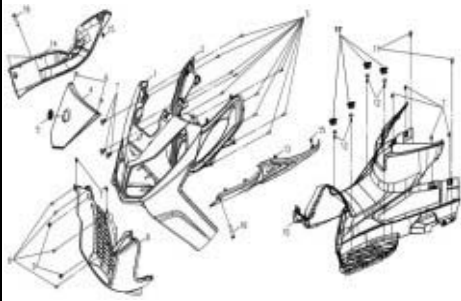
**F02** **HANDLE STRG&FR/  
RR.MASTER CYLINDER**



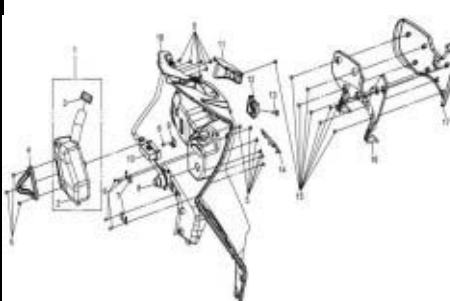
**F03**  
**RADIATOR ASSY**



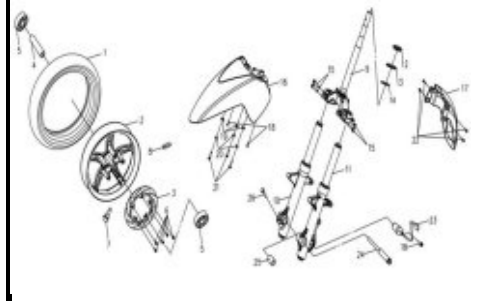
**F04**  
**FR.COVER&FLOOR PANEL**



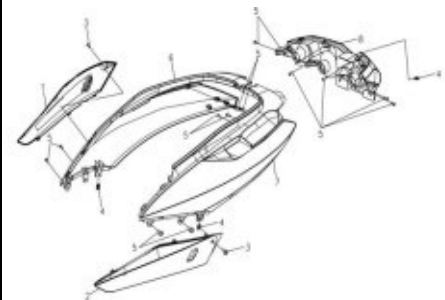
**F05**  
**INNER BOX&RESERVE TANK**



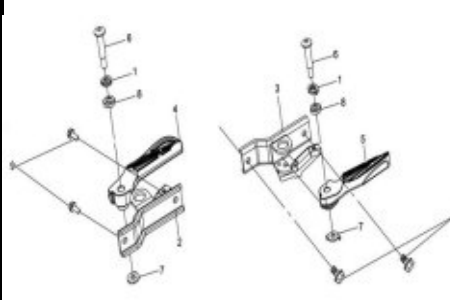
**F06**  
**FR WHEEL&FR FORK**



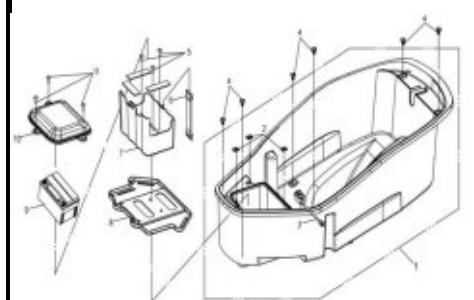
**F07** **BODY/SIDE COVER  
&RR. COMB LIGHT**



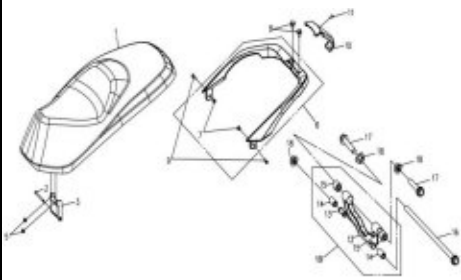
**F08**  
**L/R PILLION STEP**



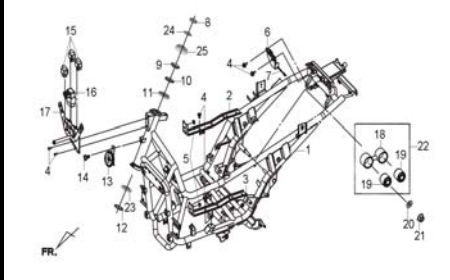
**F09**  
**LUGGAGE BOX&BATTERY COVER**



**F10** **DOUBLE SEAT&  
RR CARRIER&ENG HANGER LINK**



**F11**  
**FRAME BODY**



**F12**  
**FUEL TANE ASSY**

