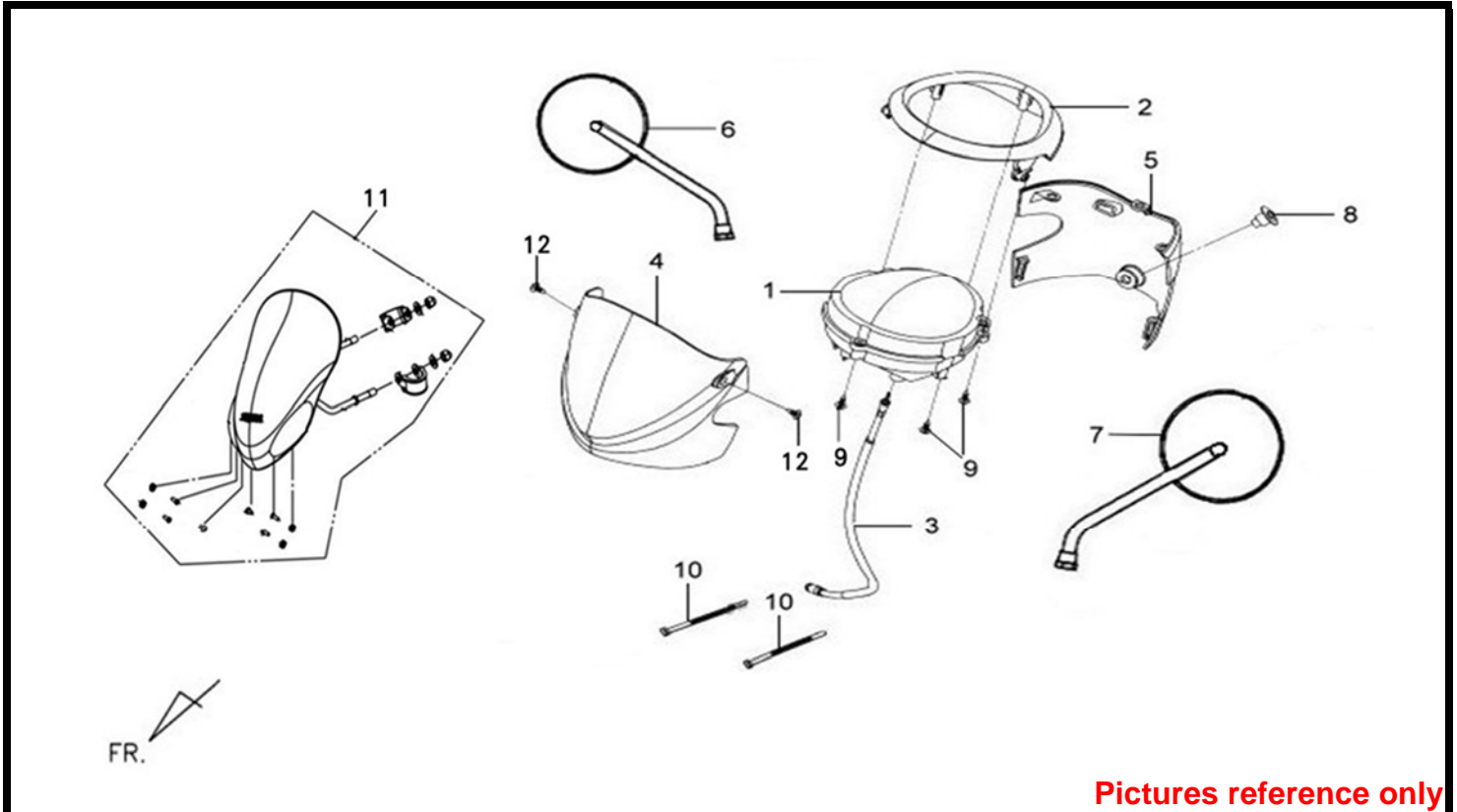


Pictures reference only

PARTS NUMBER	DESCRIPTION	QTY	EFFECTIVE DATE		
1	37200-A7M-000	METER ASSY	1		
1	37200-A7H-000	METER ASSY	1	1/7/2008	N
1-1	37211-A7A-000	METER LENS	1		
2	37210-A7A-000	METER COVER	1		
3	44830-T47-000	SPEEDOMETER CABLE COMP	1		
4	5320G-A7E-000-QA	FR.H.C ASSY (WH-011S)	1		
4-1	87121-A7D-000-T2	SYM MARK STRIPE TYPE2(40MM)	1		
4	5320G-A7E-000-SO	FR.H.C ASSY (S-421S)	1		
4-1	87121-A7D-000-T2	SYM MARK STRIPE TYPE2(40MM)	1		
4	5320G-A7E-000-ZJ	FR.H.C ASSY (RY-151CP)	1		
4-1	87121-A7D-000-T1	SYM MARK STRIPE TYPE1(40MM)	1		
4	53205-A7A-000-QA2	FR HANDLE COVER WH-011S	1		
4	53205-A7A-000-VI2	FR HANDLE COVER R-200C	1		
4	53205-A7A-000-RD2	FR HANDLE COVER PK-1905P	1		
4	53205-A7A-000-JL2	FR. HANDLE COVER BK-150C	1		
5	53206-A7A-000-KA	HANDLE RR. COVER BK-001U	1		
5	53206-A7A-000-QB	HANDLE RR. COVER WH-009U	1		
5-1	87521-LEB-000	MIT LABEL	1	8/20/2012	



Pictures reference only

PARTS NUMBER	DESCRIPTION	QTY	EFFECTIVE DATE	
6 88110-A8D-000	R. BACK MIRROR	1		
6 88110-A8D-200	R. BACK MIRROR ASSY	1	2010/12/1	N
7 88120-A8D-000	L. BACK MIRROR	1		
7 88120-A8D-200	LH. BACK MIRROR ASSY	1	2010/12/1	N
8 90114-N01-000	SWITCH COVER SCREW	1		
9 93903-34380	TAPPING SCREW 4X12	3		
10 95014-62200	WIRE BAND B2	2		
11 5327A-A7D-000-T1 ADD	METER VISOR ASSY.(SYM/TYPE)	1		
11 5327A-A7D-000-T2	METER VISOR ASSY.(SYM/TYPE)	1		
12 93903-34310	SCREW TAPPING 4X12	2		

※ Please check the color & stripe information according to the color index !

 TEAMWORLD IND. 2005.08