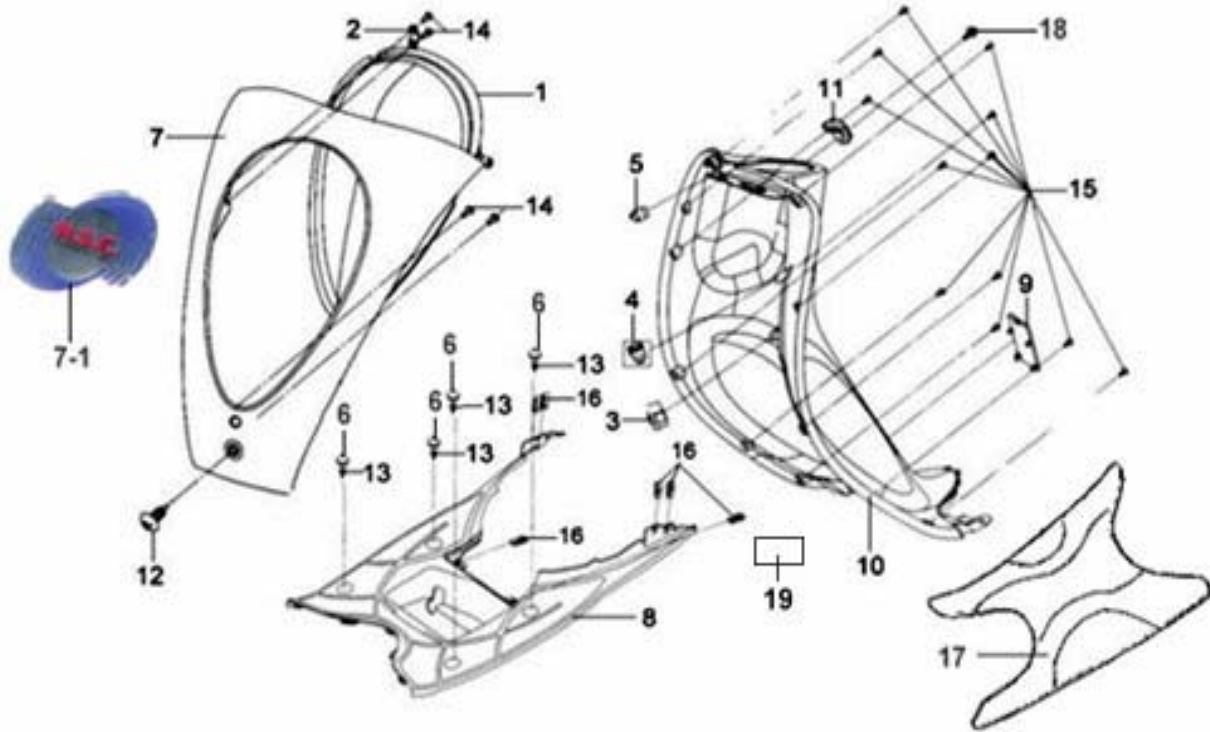


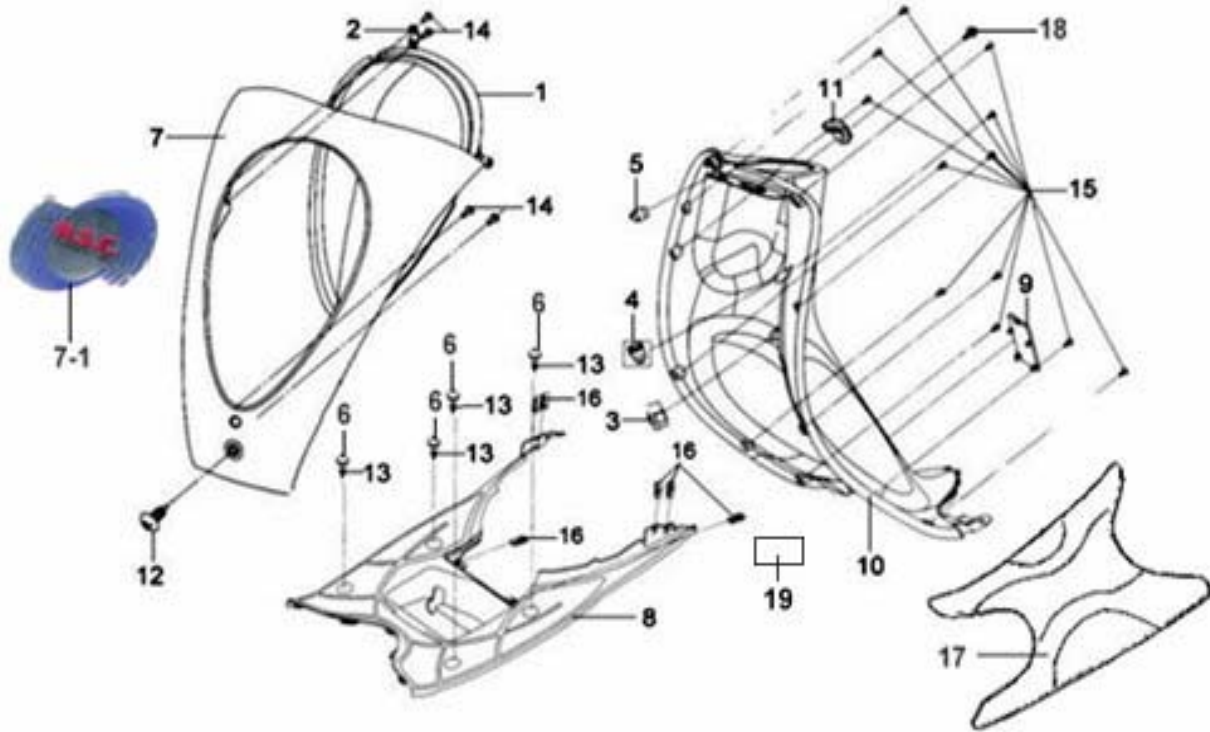
Pictures reference only

PARTS NUMBER	DESCRIPTION	QTY	EFFECTIVE DATE		
1	33100-A7M-000	HEAD LIGHT ASSY.	1		
2	33107-A7A-000	HEAD LIGHT PLATE	2		
4	38300-T53-010	AP WINKER RELAY COMP.	1		
5	3850A-HLA-000	ELEC. RELAY ASSY	1		
5	3850A-HLA-010	ELEC. RELAY ASSY	1	2010/11/23	N
6	50612-F02-010-KA	CAP B FLR STEP	4		
7	6430G-A7C-000-QA	FR COVER ASSY. WH-011S	1		
7	6430G-A7C-000-SO	FR COVER ASSY. S-421S	1		
7	6430G-A7C-000-ZJ	FR COVER ASSY. RY-151CP	1		
7-1	87123-TFA-000	S LOGO (30 POLY) TYPE1	1		
7-2	87124-HAD-000	FR. COVER EMBLEM TYPE1	1		
7	6430G-A7C-000-QA	FR COVER ASSY. WH-011S	1		
7-1	87123-TFA-000	S LOGO (30 POLY) TYPE1	1		
7-2	87124-HAD-000	FR. COVER EMBLEM TYPE1	1		
7	6430G-A7C-000-VI	FR COVER ASSY. R-200C	1		
7-1	87123-TFA-000	S LOGO (30 POLY) TYPE1	1		
7-2	87124-HAD-000	FR. COVER EMBLEM TYPE1	1		
7	6430G-A7C-000-RD	FR COVER ASSY. PK-1905P	1		



Pictures reference only

PARTS NUMBER	DESCRIPTION	QTY	EFFECTIVE DATE
7-1 87123-TFA-000	S LOGO (30 POLY) TYPE1	1	
7-2 87124-HAD-000	FR. COVER EMBLEM TYPE1	1	
7 64301-A7A-000-QA	FR COVER WH-011S	1	
7-1 87120-A7Y-000	FR COVER STRIPE	1	
7-2 87123-TFA-000	S-LOGO 30MM(POLY)	1	
7 64301-A7A-000-VP	FR COVER PK-2365C	1	
7-1 87120-A7W-000	FR COVER STRIPE	1	
7-2 87123-TFA-000	S LOGO (30 POLY) TYPE1	1	
7 64301-A7A-000-JL	FR. COVER (BK-150P)	1	
7-1 87123-TFA-000	S LOGO (30 POLY) TYPE1	1	
8 64310-A7A-000-KA	FLOOR PANEL BK-001U	1	
8 64310-A7A-000-QB	FLOOR PANEL WH-009U	1	
9 64318-H6B-010-KA	FRAME NUMBER LID BK-001U)	1	
9 64318-H6B-010-QB	FRAME NUMBER LID WH-009U	1	
10 81131-A7M-000-KA	FR INNER COVER BK-001U	1	
10 81131-A7M-000-QB	FR INNER COVER WH-009U	1	
11 81132-M7Q-000-KA	HOOK LUGGAGE BK-001U	1	
11 81132-M7Q-000-QB	HOOK LUGGAGE WH-009U	1	



Pictures reference only

PARTS NUMBER	DESCRIPTION	QTY	EFFECTIVE DATE	
12	90119-G03-000	SCREW WASHER 5*20	1	
13	93404-06016-08	BOLT, WASH 6*16	4	
14	93903-34120	TAPPING SCREW 4*8	2	
15	93903-34380	TAPPING SCREW 4*12	13	
16	90302-V02-000	SPRINF NUT 4MM	6	
17	64320-A7B-000-AJ	FLOOR MAT BR-7518U	1	
17	64320-A7B-000-KA	FLOOR MAT BK-001U	1	
17	64320-A7B-000-GJ	FLOOR MAT GY-425U	1	
18	90164-MR4-900	SCREW SPECIAL 6MM	1	
19	87501-A7V-010	BIKE IDENTIFICATION PLATE	1	7/14/08
19	87501-A7V-020	BIKE IDENTIFICATION PLATE	1	7/22/13

TEAMWORLD IND. 2005.08

※ Please check the color & stripe information according to the color index !