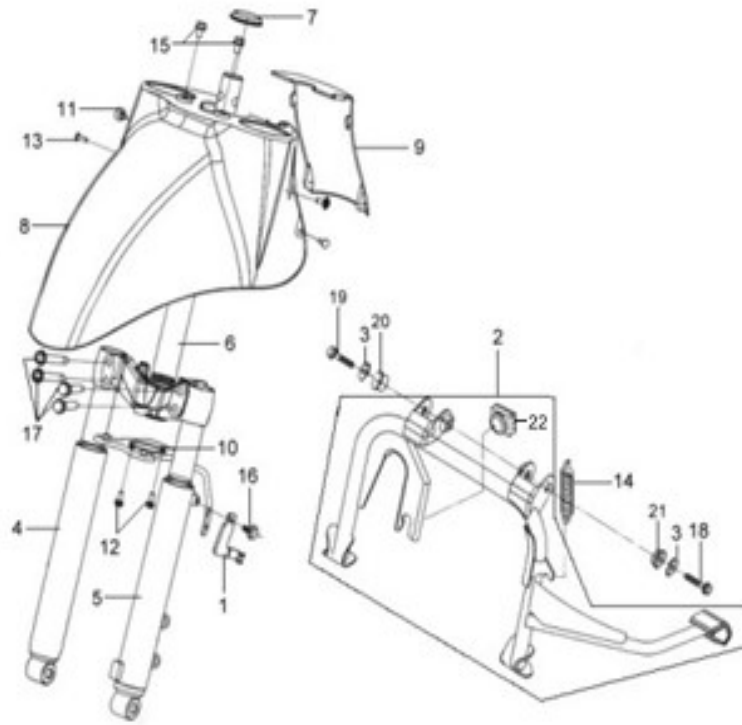


Pictures reference only

PARTS NUMBER	DESCRIPTION	QTY	EFFECTIVE DATE
1 45156-A8B-000	FR. BRAKE HOSE CLAMP	1	
2 50500-A7E-000	MAIN STAND ASSY	1	
3 50504-A1A-000	MAIN STAND COLLAR	2	
4 51400-A34-002	FR/R. FORK ASSY	1	
4 51400-A7E-000	FR/R FORK ASSY	1	
5 51500-A34-002	FR/L. FORK ASSY	1	
5 51500-A7E-000	FR/L FORK ASSY	1	
6 53200-A8B-000	STRG. STEM COMP.	1	
7 53212-M7Q-000	STRG. BOTTOM CONE RACE	1	
8 61100-A7A-000-QA	FR FENDER A WH-011S	1	
8 61100-A7A-000-SO	FR FENDER A S-421S	1	
8 61100-A7A-000-ZJ	FR FENDER A RY-151CP	1	
8 61100-A7A-000-RD	FR FENDER A PK-1905P	1	
8 61100-A7A-000-VI	FR FENDER A R-200C	1	
8 61100-A7A-000-VP	FR FENDER A PK-2365C	1	
8 61100-A7A-000-JL	FR. FENDER A BK-150P	1	
9 61101-A7A-000	FR. FENDER B	1	
10 61104-A7A-000	FR. FENDER STAY	1	



Pictures reference only

PARTS NUMBER	DESCRIPTION	QTY	EFFECTIVE DATE
11 90114-N01-000	SWITCH COVER SCREW	2	
12 93401-05012-08	BOLT. WASHER 5*12	2	
13 93903-34380	TAPPING SCREW 4*12	2	
14 50505-E60-000	MAIN STAND SPRING	1	
15 95801-06010-08	FLANGE BOLT 6*10	2	
16 95801-06012-08	FLANGE, BOLT 6*12	1	
17 95801-08040-00	FLANGE BOLT 8*40	4	
18 95801-10045-08	FLANGE BOLT 10*45	1	
19 95801-10040-08	FLANGE BOLT 10*40	1	
20 50505-A1A-000	MAIN STAND COLLAR A	1	
21 50502-A1A-000	MAIN STAND COLLAR B	1	
22 50506-A31-000	MAIN STAND STOPPER STAY	1	

 TEAMWORLD IND. 2005.08

※ Please check the color & stripe information according to the color index !