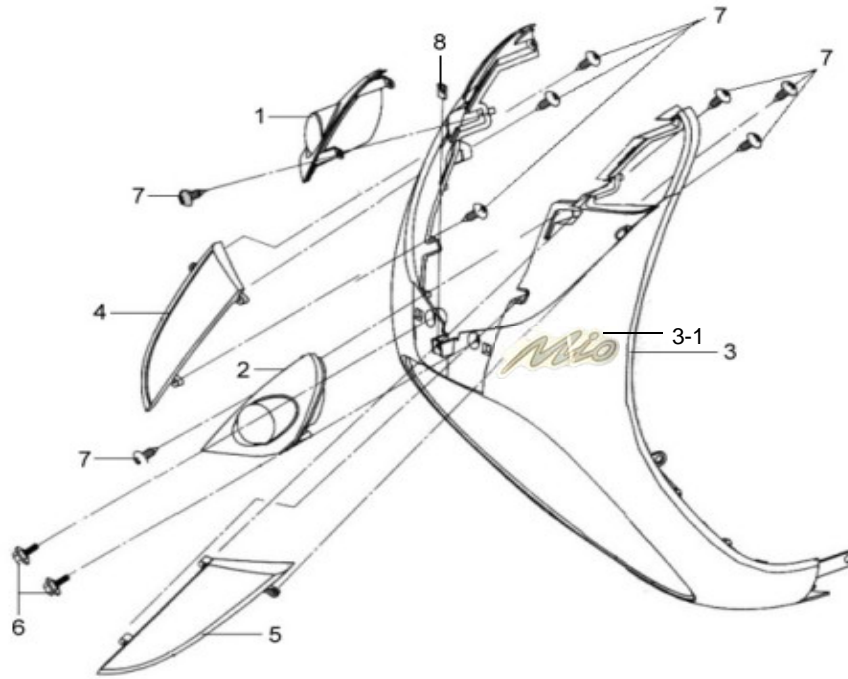


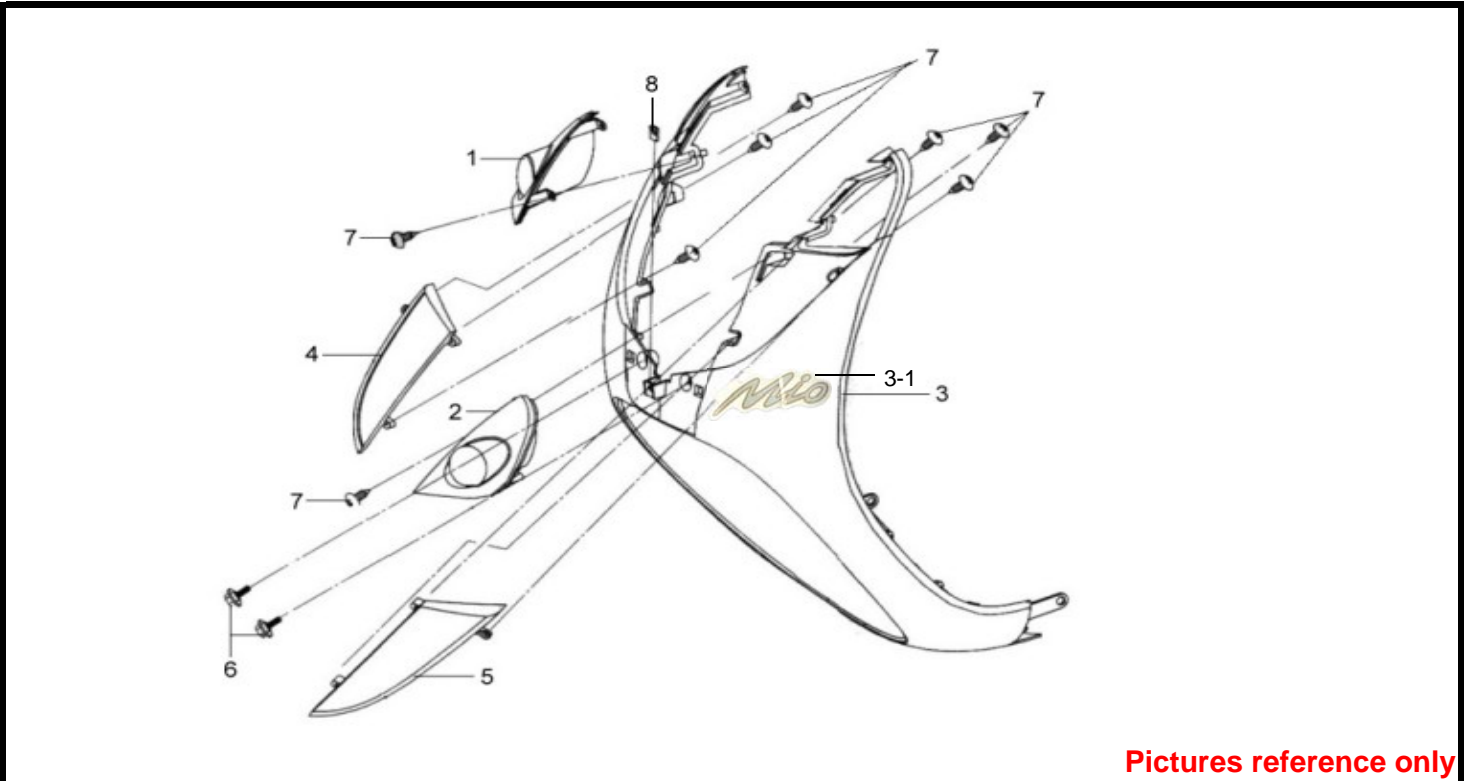
Pictures reference only

PARTS NUMBER	DESCRIPTION	QTY	EFFECTIVE DATE	
1 33400-A8D-000	FR R WINKER ASSY.	1		
1 33400-A8D-100	FR. R. WINKER ASSY	1	3/20/07	N
1-1 34905-A8D-000	WINKER BULB	1		
2 33450-A8D-000	FR L WINKER ASSY.	1		
2 33450-A8D-100	FR. L. WINKER ASSY	1	3/20/07	N
2-1 34905-A8D-000	WINKER BULB	1		
3 64300-A7A-000-SO1	FR UND. SPOILER S-421S	1		
3 64300-A7A-000-WF1	FR UND. SPOILER WH-003P	1		
3 6430G-A8A-600-AI	FR. SPOILER ASSY BR-7529S	1		
3-1 87124-A8A-600	FR.SPOILER STRIPE	1		
3 6430G-A8A-600-ZJ	FR. SPOILER ASSY RY-151CP	1		
3-1 87124-A8A-600	FR.SPOILER STRIPE	1		
3 6430G-A8A-600-QA	FR. SPOILER ASSY. WH-011S	1		
3-1 87124-A8A-600	FR.SPOILER STRIPE	1		
3 6430G-A8A-600-AI	FR. SPOILER ASSY BR-7529S	1		
3-1 87124-A8A-600	FR.SPOILER STRIPE	1		
3 6430G-A8A-600-VI	FR SPOILER ASSY. R-200CA	1		
3-1 87124-A8A-600	FR.SPOILER STRIPE	1		
3 6430G-A8A-600-JL	FR SPOILER ASSY. BR-150P	1		
3-1 87124-A8A-600	FR.SPOILER STRIPE	1		
3 6430G-A7Y-000-VI	FR. UNDER SPOILER ASSY	1		



Pictures reference only

PARTS NUMBER	DESCRIPTION	QTY	EFFECTIVE DATE
3-1 87121-A7Y-000	RH. FR. UNDER SPOILER STRIPE	1	
3-2 87122-A7Y-000	LH. FR. UNDER SPOILER STRIPE	1	
3 6430G-A7W-000-JL	FR. UNDER SPOILER ASSY	1	
3-1 87121-A7W-000	RH. FR. UNDER SPOILER STRIPE	1	
3-2 87122-A7W-000	LH. FR. UNDER SPOILER STRIPE	1	
4 64410-A7A-000-AI	FR R WINKER GARNISH	1	
4 64410-A7A-000-ZJ	FR R WINKER GARNISH	1	
4 64410-A8B-000	FR R WINKER GARNISH MRCR2	1	
4 64410-A7A-000-QA	FR R WINKER GARNISH WH-011S	1	
4 64410-A7A-000-VP	FR R WINKER GARNISH PK-2365C	1	
4 6441G-A7Y-000-VI	FR R WINKER GARNISH ASSY.	1	
4-1 87129-A7Y-000	RH. FR. WINKER GARNISH STRIPE	1	
5 64420-A7A-000-AI	FR L WINKER GARNISH	1	
5 64420-A7A-000-ZJ	FR L WINKER GARNISH	1	
5 64420-A7A-000-QA	FR L WINKER GARNISH WH-011S	1	
5 64420-A8B-000	FR L WINKER GARNISH MRCR2	1	
5 64420-A7A-000-VP	FR L WINKER GARNISH PK-2365C	1	
5 6442G-A7Y-000-VI	FR L WINKER GARNISH ASSY.R-200C	1	
5-1 87130-A7Y-000	LH. FR. WINKER GARNISH STRIPE	1	
6 90113-M8Q-000	FLANGE BOLT 6MM	2	
7 93903-34320	TAPPING SCREW 4X12	8	



Pictures reference only

PARTS NUMBER	DESCRIPTION	QTY	EFFECTIVE DATE	
8 90302-V02-000	SPRING NUT 4MM	1		

 TEAMWORLD IND. 2005.08

※ Please check the color & stripe information according to the color index !