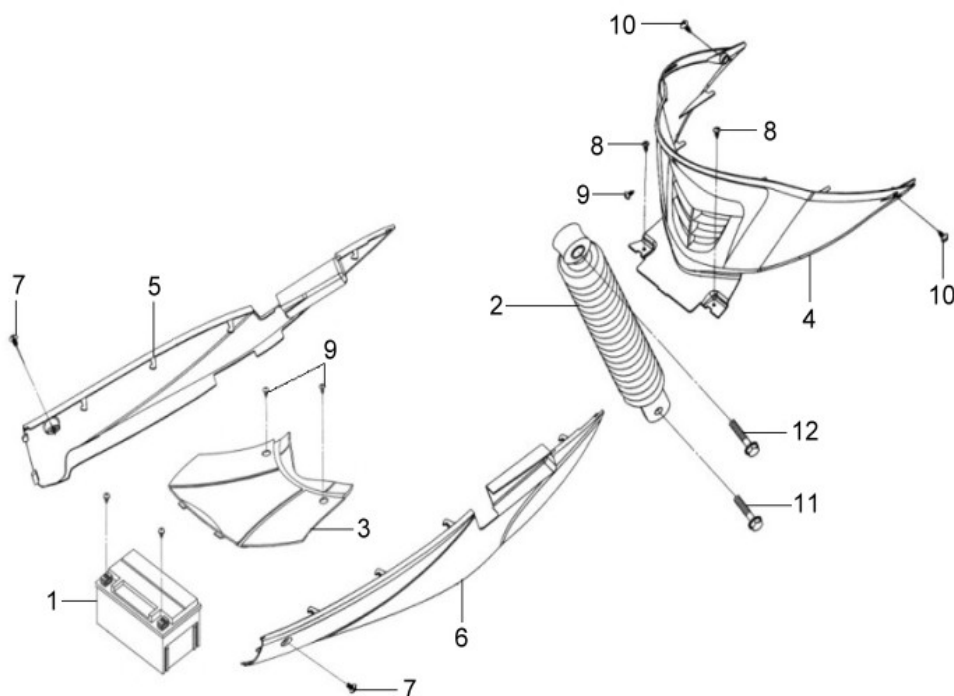


Pictures reference only

PARTS NUMBER	DESCRIPTION	QTY	EFFECTIVE DATE
1	1Y01GY601-Y	1	
2	52400-A1A-000	1	
3	50326-A7A-000-KA	1	
3	50326-A7A-000-QB	1	
4	80151-A7A-000-KA	1	
4	80151-A7A-000-QB	1	
5	83520-A7A-000-AI	1	
5	83520-A7A-000-SO	1	
5	83520-A7A-000-WF	1	
5	83520-A7A-000-ZJ	1	
5	83520-A7A-000-QA	1	
5	83520-A7A-000-BN	1	
5	83520-A7A-000-VI	1	
5	83520-A7A-000-JL	1	
5-1	87125-A7Y-000	1	
5	8352G-A7W-000-VP	1	
5-1	87125-A7W-000	1	
6	83620-A7A-000-AI	1	



Pictures reference only

PARTS NUMBER	DESCRIPTION	QTY	EFFECTIVE DATE
6	83620-A7A-000-SO	L SIDE COVER S-421S	1
6	83620-A7A-000-WF	L SIDE COVER WH-003P	1
6	83620-A7A-000-ZJ	L SIDE COVER RY-151CP	1
6	83620-A7A-000-QA	L SIDE COVER WH-011S	1
6	83620-A7A-000-BN	L SIDE COVER (BU-288S)	1
6	83620-A7A-000-VI	L.SIDE COVER R-200CA	1
6	83620-A7A-000-JL	L SIDE COVER BK-150P	1
6-1	87126-A7Y-000	L SIDE COVER STRIPE	1
6	8362G-A7W-000-VP	L SIDE COVER PK-2365C	1
6-1	87126-A7W-000	L SIDE COVER STRIPE	1
7	90118-HAA-000	WASHER BOLT 5*14	2
8	93903-34320	TAPPING SCREW 4*12	2
9	93903-34480	TAPPING SCREW 4*16	3
10	93903-34480	TAPPING SCREW 4*16	2
11	93201-08032-0H	HEX BOLT 8*32	1
12	95801-10035-08	FLANGE BOLT 10*35	1

 TEAMWORLD IND. 2005.08

※ Please check the color & stripe information according to the color index !