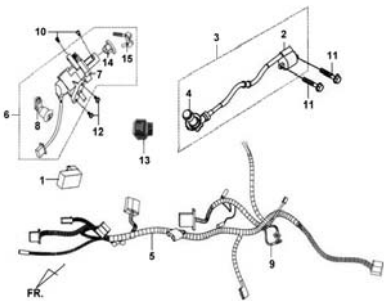


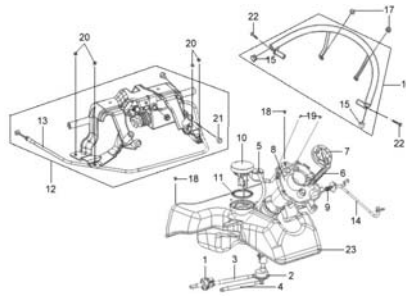
# CONTENTS – FRAME GROUP 2

2005/06

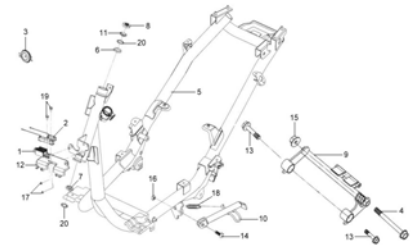
**F13 C.D.I. UNIT  
WIRE HARNESS**



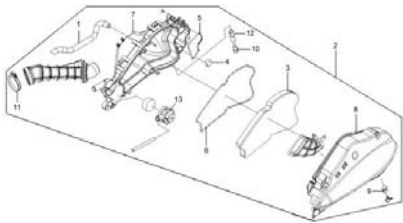
**F14 FUEL TANK-RR. GRIP**



**F15 FRAME BODY  
ENGINE HANGER**



**F16 AIR CLEANER ASSY.**



**F17 MUFFLER ASSY.**

