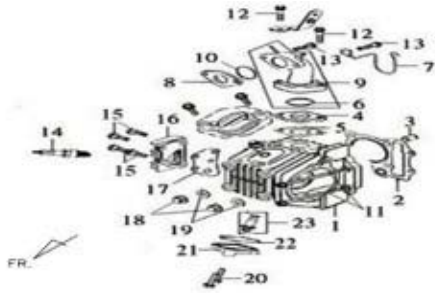


CONTENTS—ENGINE GROUP 1

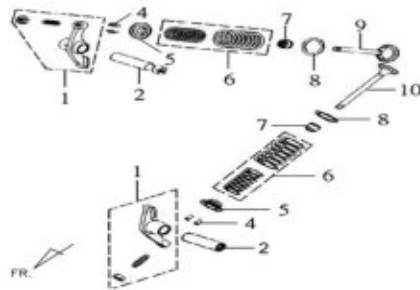
E01

CYLINDER HEAD COMP



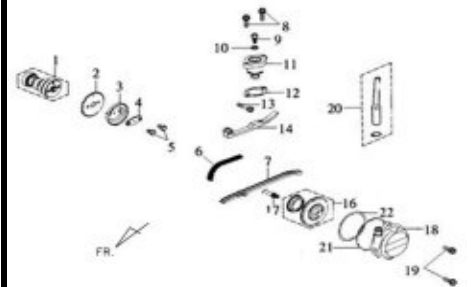
E02

VALVE ROCKER ARM SHAFT



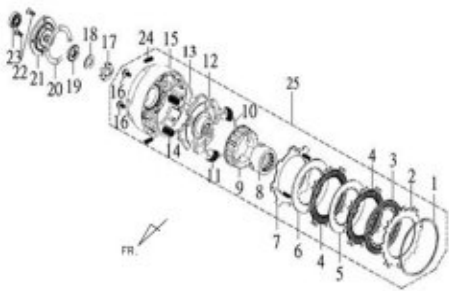
E03

CAM SHAFT SPROCKET TENSIONER LIFTER



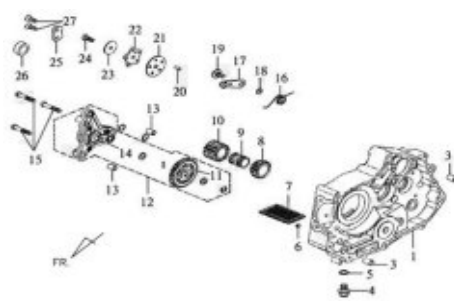
E04

CLUTCH ASSY



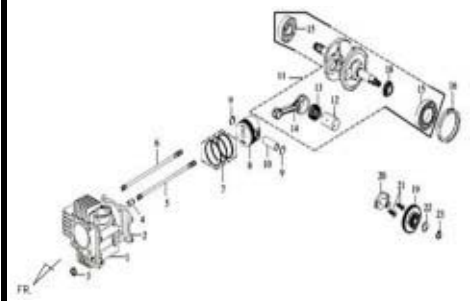
E05

OIL PUMP ASSY. R CRANK CASE



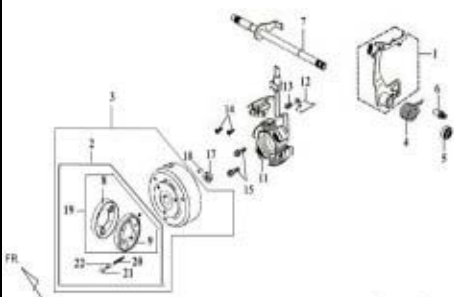
E06

CYLINDER CRANK SHAFT COMP



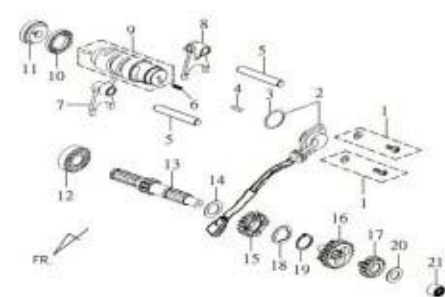
E07

GEAR SHIFT SPINDLE FLYWHEEL&STATOR



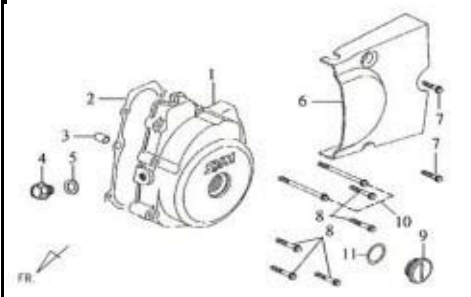
E08

SHIFT DRUM COMP MAIN SHAFT



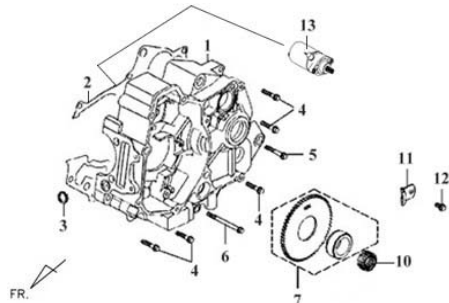
E09

L CRANK CASE COVER



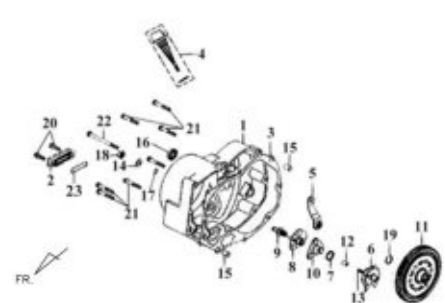
E10

L. CRANK CASE CLUTCH OUTER



E11

R. CRANK CASE COVR



E12

CARBURETOR REED VALVE ASSY

