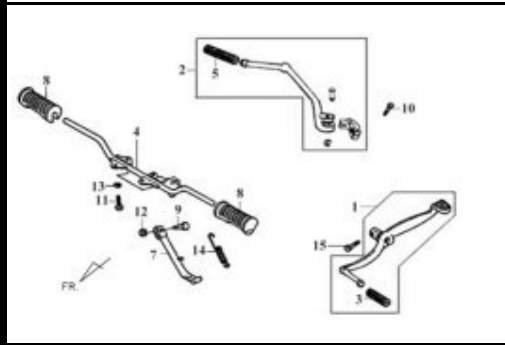
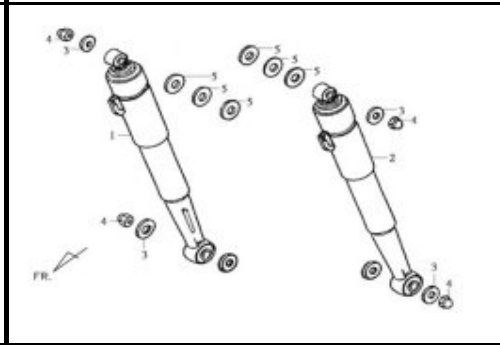


CONTENTS—FRAME GROUP 2

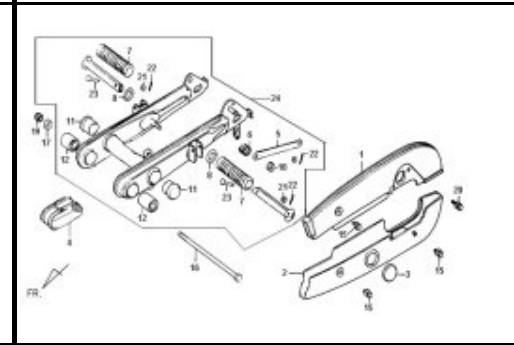
F13
GEAR CHANGE PEDAL KICK STARTER ARM



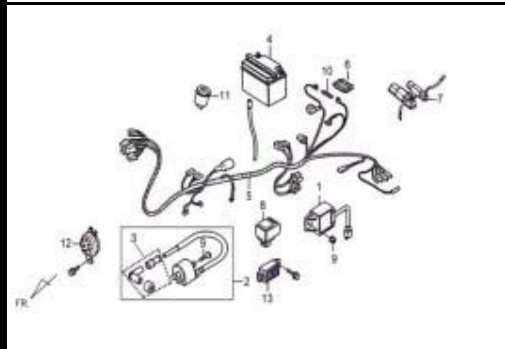
F14
RR. CUSHION



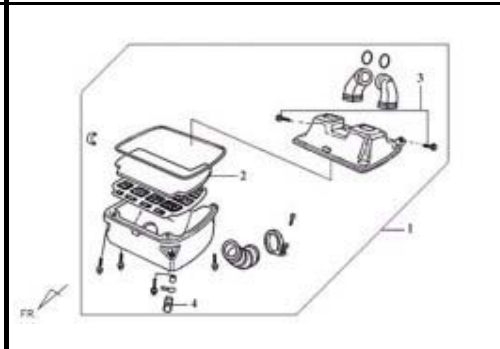
F15
RR. FORK COMP CHAIN CASE



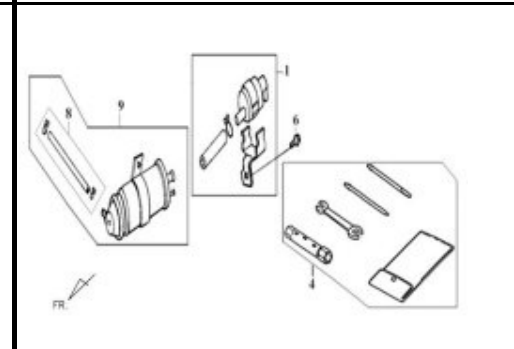
F16
WIRE HARNESS . BATTERY



F17
AIR CLEANER ASSY



F18
A.I.A.C. SET CANISTER/P.C.V.SET



F19
A.I.C.V UNIT FUEL STRAINER ASSY

